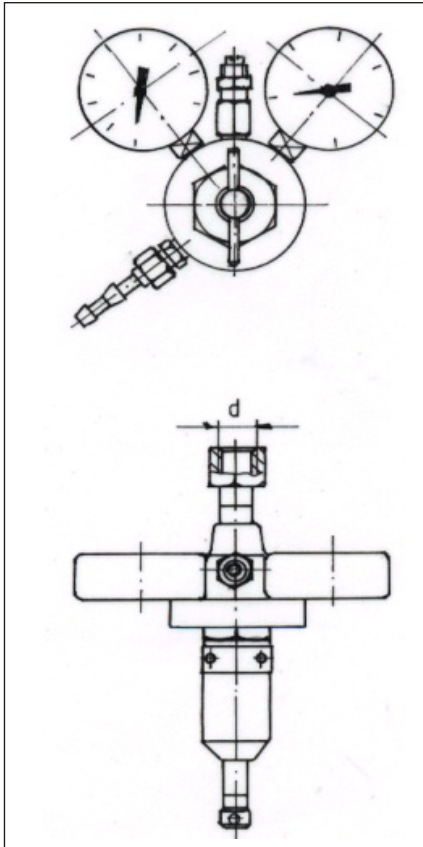


REDUCTOR DE MEDIE PRESIUNE PENTRU BUTELII DE GAZE MEDIUM PRESSURE REDUCER FOR GAS CYLINDERS RMPB - * / **



CARACTERISTICI TEHNICE TECHNICAL CHARACTERISTICS

- Racord de iesire cu niplu pentru furtun Di.
- Temperatura de functionare : -20 °C...+60 °C.
- Material :alama.
- Dimensiuni de gabarit[mm] :200x128x125.
- Outlet hose connection Di.
- Working temperature : -20 °C...+60 °C.
- Material : brass.
- Overall dimensions [mm] : 200x128x125.

Gaz/Gas	Simbolgaz Symbol gas *	D	Di
Oxigen Oxygen	O	G3/4	Ø6,3
Azot Nitrogen	N	W24,32x1/14	
Argon	Ar	W21,8x1/14	
Heliu Helium	He		
Dioxid de carbon Carbone dioxide	K	W21,8x1/14LH	
Hidrogen Hydrogen	H	W21,8x1/14LH	Ø10
Propan, butan, GPL, Propane, butane, LPG	P	W21,8x1/14LH	

Tipul gazului Gas type	Clasa Reducer Reducer class **	Presiune nominala Intrare(max.)[bar] Nominal pressure Inlet	Presiune nominala Iesire (max.)[bar] Nominal pressure outlet	Debit Flow [m ³ /h]
Oxigen, azot, argon, heliu, hidrogen.	0	200	2	1,5
	1		4	5
	2		6	15
	3		10	30
	4		12,5	40
Dioxid de carbon Carbon dioxide	5	200 la 53 °C	20	50
	0		2	2
	1		4	2
Propan, butan, GPL, Propane, butane, LPG.	0	25 la 70 °C	1,5	1
	1		4	5

TRUSE DE SUDARE SI TAIERE OXIGAZ; REDUCTOARE DE PRESIUNE PENTRU BUTELII DE GAZE; ROBINETI PENTRU BUTELII DE GAZE;
APARATE DE TAIERE OXIGAZ; GENERATOARE SI MINIGENERATOARE ACETILENA; ROBINETI CU SFERA; ECHIPAMENT MEDICAL;
ECHIPAMENT PENTRU INSTALATII SI REțele DE GAZE; CONFECTII METALICE; PIESE TURNATE DIN NEFEROASE; SERVICE.

OXY-GAS CUTTING AND WELDING KITS; PRESSURE REDUCERS FOR GAS CYLINDERS; ACETYLENE GENERATORS AND MINIGENERATORS;
ALL VALVES; MEDICAL EQUIPMENT; DEVICES FOR DIVING EQUIPMENT; EQUIPMENT FOR GAS INSTALLATION AND NETWORKS; METAL
CONSTRUCTION; NON-FERROUS METAL CASTINGS; SERVICE.